

NS132S

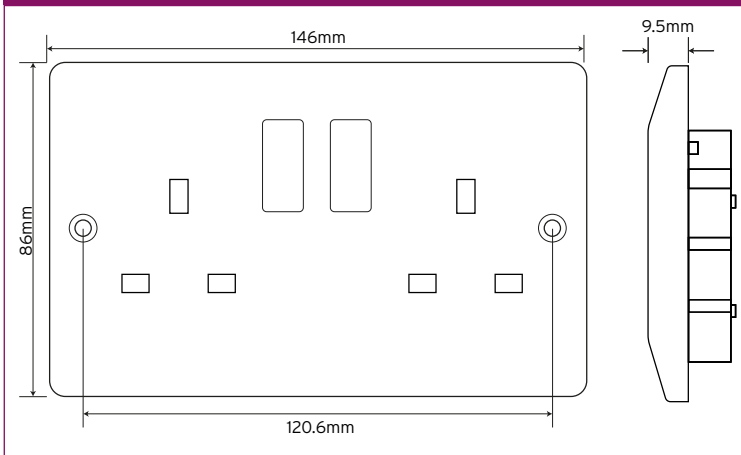
1 Gang Single Pole Switched Socket Outlet



20
YEAR
GUARANTEE

A new take on traditional moulded wiring accessories manufactured in bright white Urea.

Technical Drawing



Technical Specifications

Material Composition	Front Plate - Urea Rear Housing - Nylon Terminals - Brass, Terminal Screws - Steel & Yellow Passivated Internal Mechanism - Formed Press Brass Silver "on-lay" Copper / Brass Contacts
Voltage	240V ~ 50Hz
Current Rating	13A
Terminal Size	5mm \varnothing
Torque Value	2.5Nm
Cable Size	4 x 2.5mm ²
Back Box Depth	25mm
Anti Microbial Certified	Yes
Warranty	20 Years
IP Rating	IP20
Operational Temperature	-5° to +40 °C
Standards	BS 1363-2:1995+A4:2012, Modified ISO 22196
Dimensions	86x146x9.5mm (HxWxD)
Poles	Single Pole
Switched	Yes